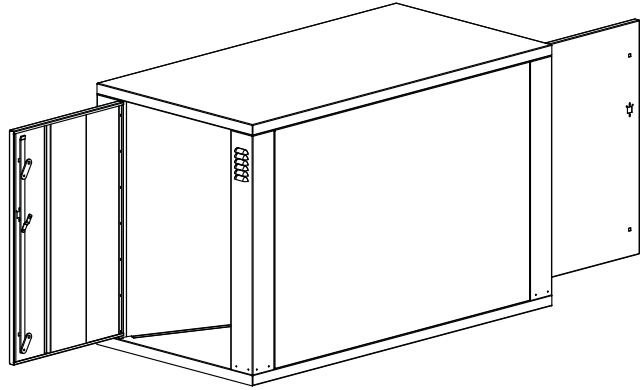
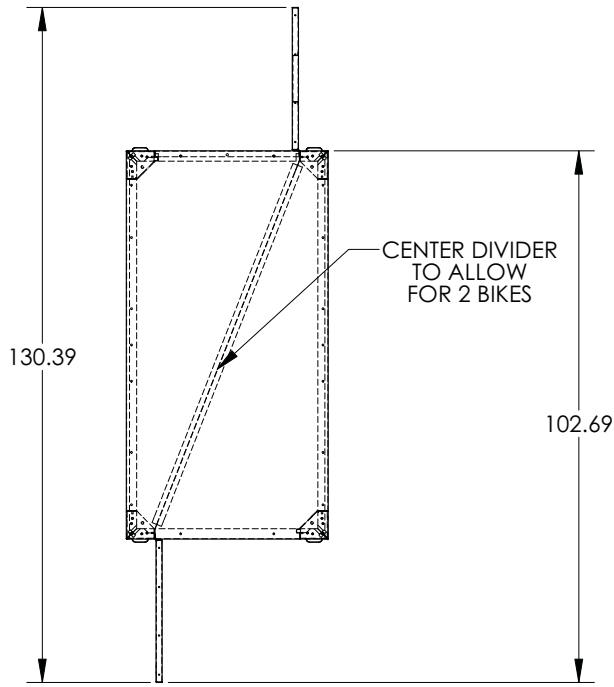


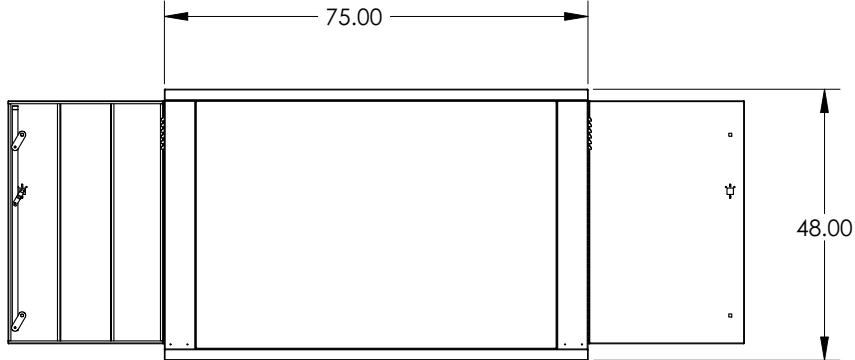
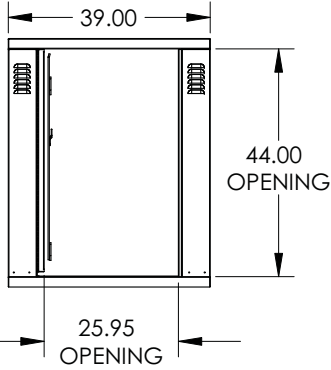
8 7 6 5 4 3 2 1

REVISIONS			
REV.	DESCRIPTION	DATE	APPROVED
XX			



D
C
B
A

D
C
B
A



MODEL: DL100-2-F-P

UNLESS OTHERWISE SPECIFIED:	NAME	DATE
DIMENSIONS ARE IN INCHES	JC	5-7-09
TOLERANCES:	CHECKED	
FRACTIONAL ±	ENG APPR.	
ANGLES: ±.5	MFG APPR.	
TWO PLACE DECIMAL ±.06	Q.A.	
THREE PLACE DECIMAL ±.030	COMMENTS:	
SURFACE FINISH:	Unless otherwise see customer drawings	
MATERIAL		
FINISH		
SEE CUSTOMER NOTES		
DO NOT SCALE DRAWING		

PROPRIETARY AND CONFIDENTIAL
 THE INFORMATION CONTAINED IN THIS DRAWING IS THE SOLE PROPERTY OF HANNAN SPECIALTIES, INC. ANY REPRODUCTION IN PART OR AS A WHOLE WITHOUT THE WRITTEN PERMISSION OF HANNAN SPECIALTIES, INC. IS PROHIBITED.

HANNAN SPECIALTIES, INC. 4019 LEOS LANE, #3, CARMICHAEL, CA 95068		
DL100-2-F-P (AS DRAWN) DURA LOCKER RECTANGULAR SHAPED BIKE LOCKER ASSEMBLY		
SIZE B	DWG. NO. DL100-MAIN ASSY	REV 1
SCALE:	WEIGHT:	SHEET 2 OF 2

8 7 6 5 4 3 2 1